

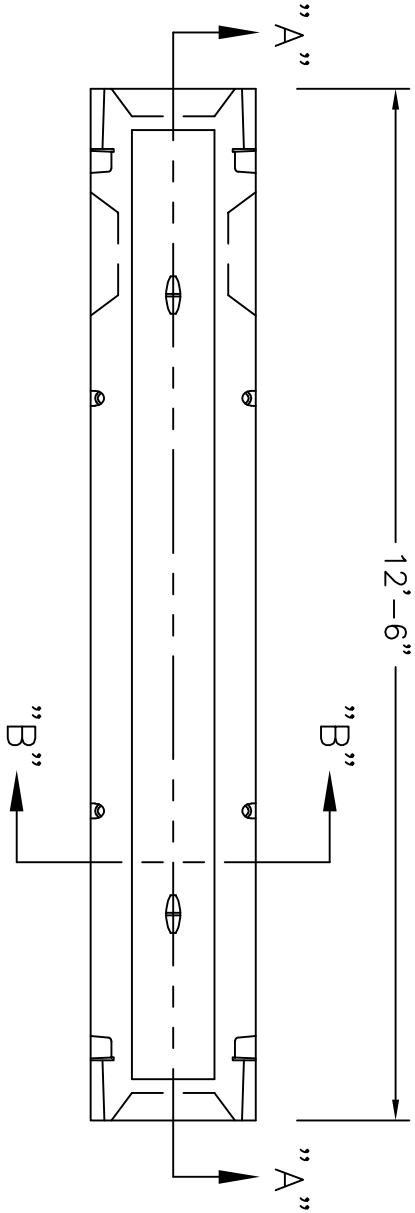
STANDARD PRECAST TRENCH DRAIN

PHONE (610) 435-6746  
 FAX (610) 437-7133

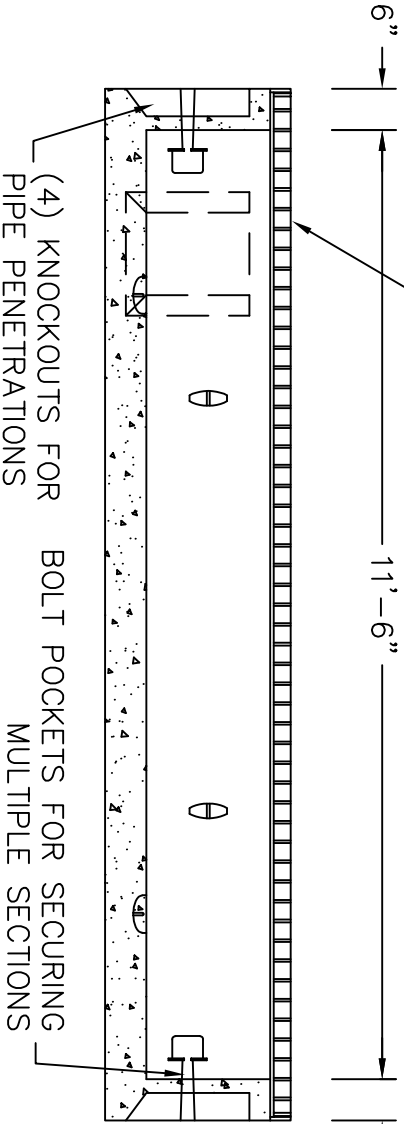
ALLENTOWN, PA. 18109

425 NORTH DAUPHIN STREET  
 WWW.MONARCHPRECAST.COM

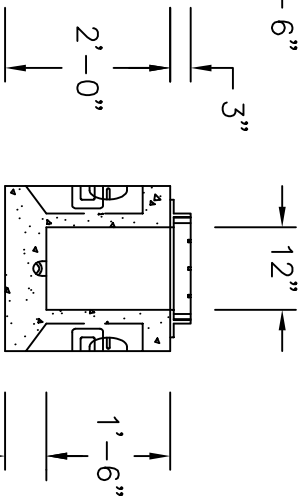
# MONARCH PRECAST CONCRETE



3" HIGH 'M' ALTERNATE STRUCTURAL  
 STEEL FRAME AND BICYCLE SAFE GRATE



SECTION "A-A"



SECTION "B-B"

MULTIPLE TRENCH PIECES CAN BE BOLTED TOGETHER FOR LONGER RUNS  
 IN MULTIPLE LENGTHS OF 12'-6"

