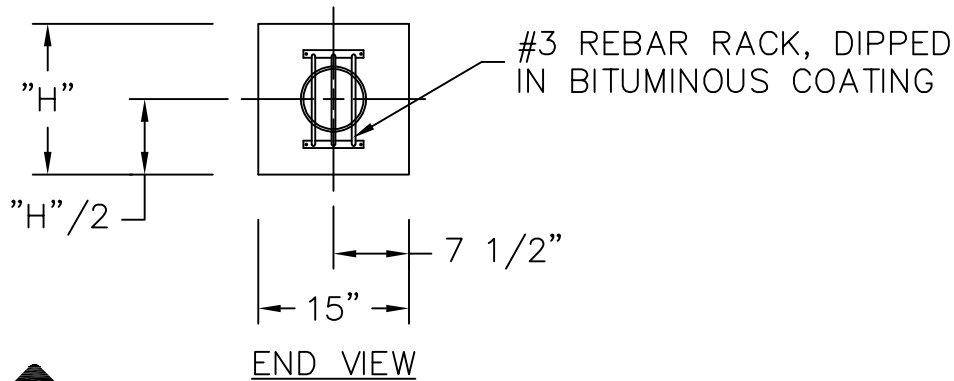
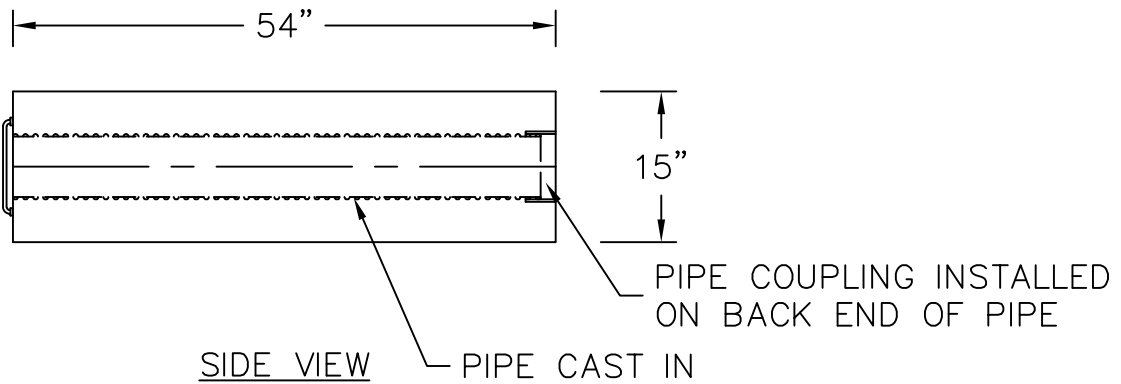
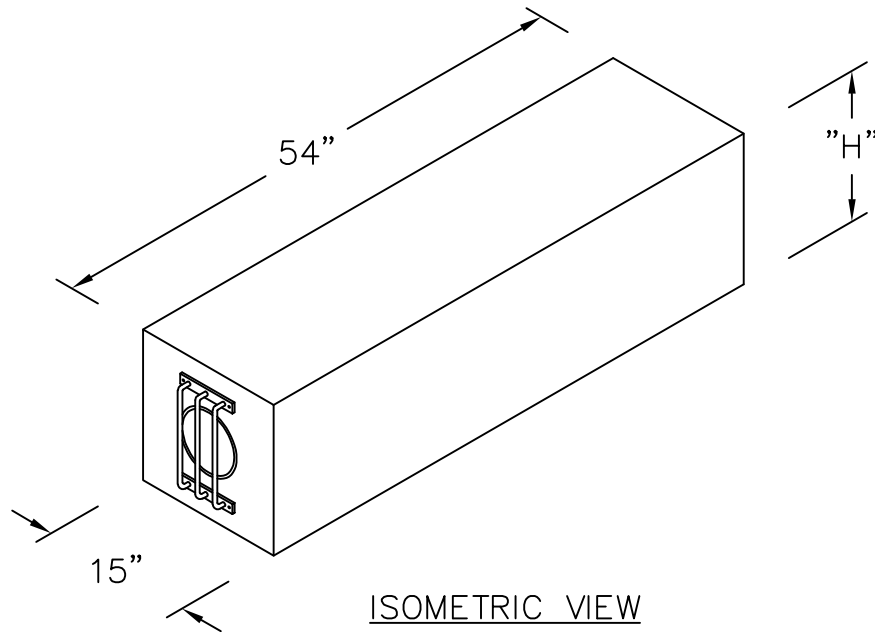


ALL EXPOSED EDGES TO HAVE A 1" CHAMFER



PIPE SIZE	"H"
4"	12"
6"	15"
8"	16"
10"	18"



DIMENSIONS ARE PER PENNDOT'S RC STANDARDS

# MONARCH PRECAST CONCRETE

425 NORTH DAUPHIN STREET  
WWW.MONARCHPRECAST.COM

ALLENTOWN, PA. 18109

PHONE (610) 435-6746  
FAX (610) 437-7133

PRECAST CONCRETE SUBSURFACE DRAIN