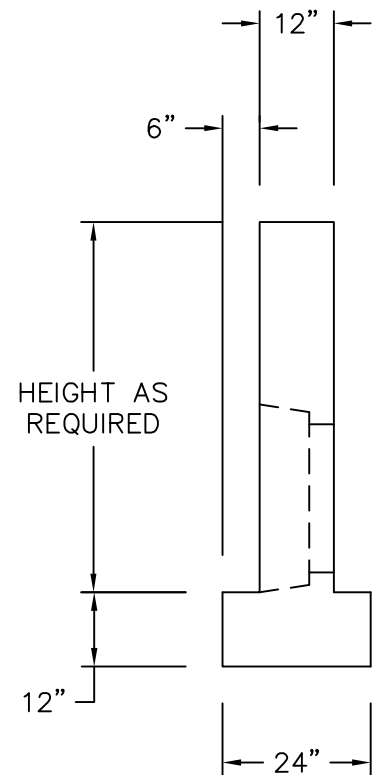
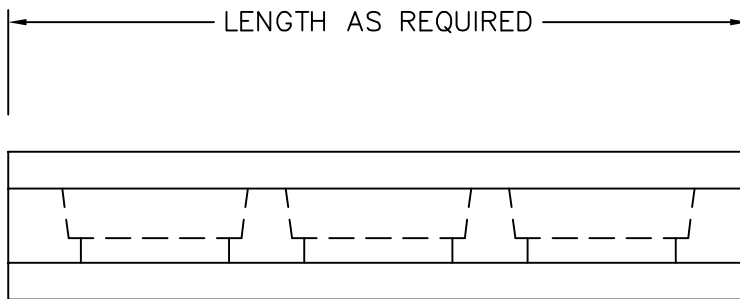
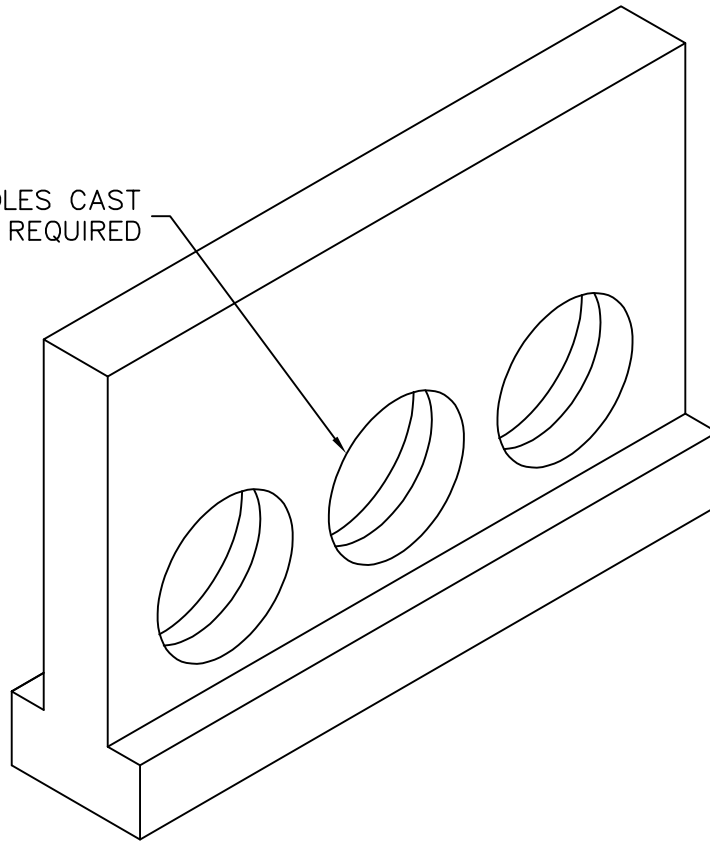


HOLES CAST
AS REQUIRED



MONARCH PRECAST CONCRETE

425 NORTH DAUPHIN STREET
WWW.MONARCHPRECAST.COM

ALLENTOWN, PA. 18109

PHONE (610) 435-6746
FAX (610) 437-7133

ONE-PIECE CUSTOM TYPE D ENDWALL