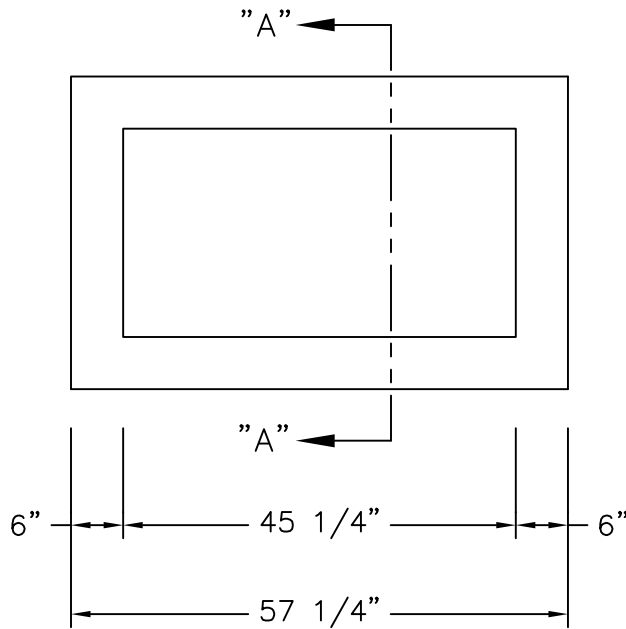
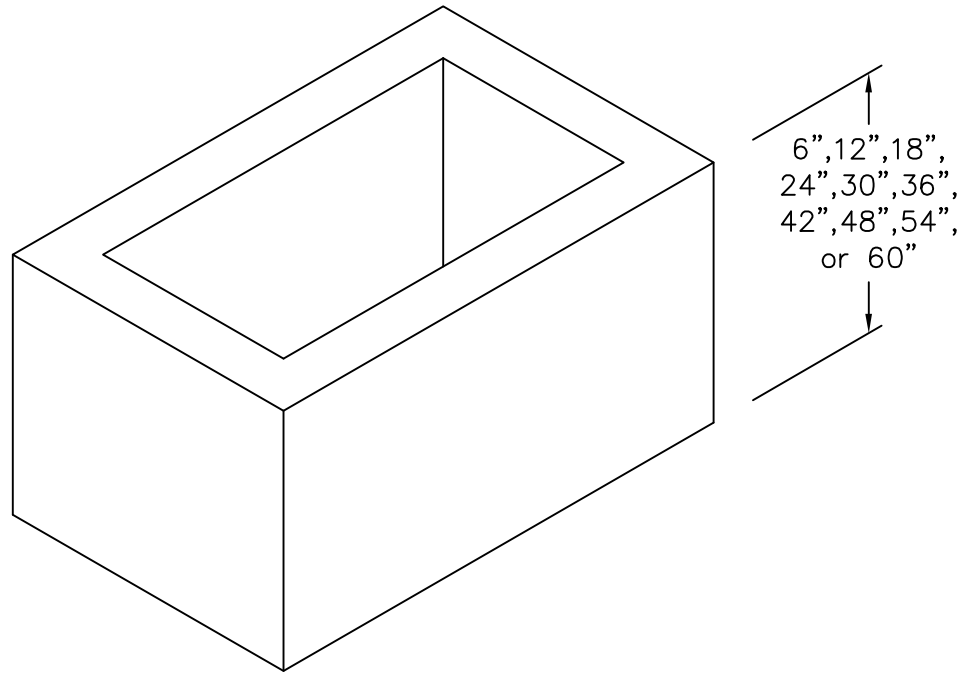
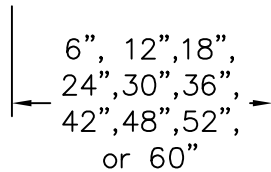
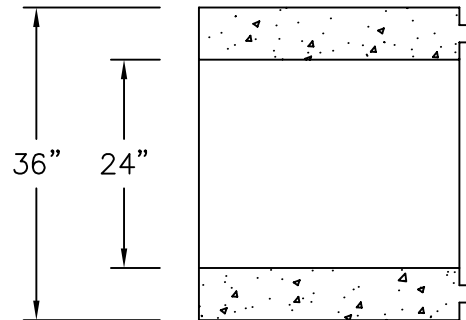


POLYPROPYLENE STEPS PROVIDED  
IN STRUCTURES > 5'-0"



PLAN VIEW



SECTION "A-A"



# MONARCH PRECAST CONCRETE

425 NORTH DAUPHIN STREET  
WWW.MONARCHPRECAST.COM

ALLENTOWN, PA. 18109

PHONE (610) 435-6746  
FAX (610) 437-7133

PENNDOT STANDARD INLET RISER (RC-46M)