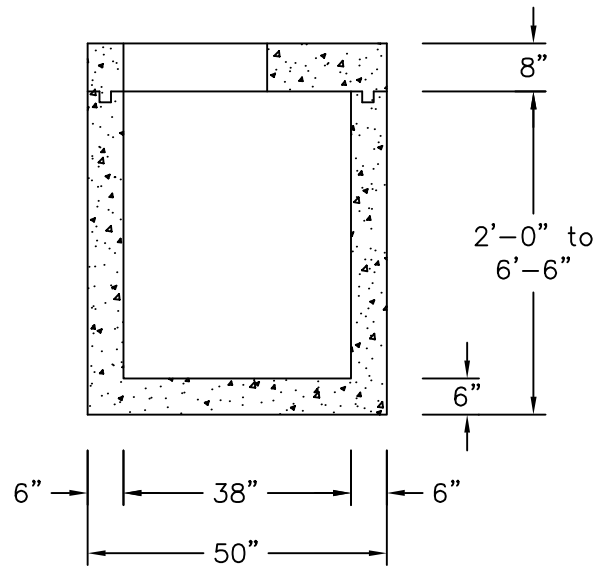
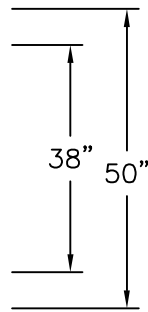
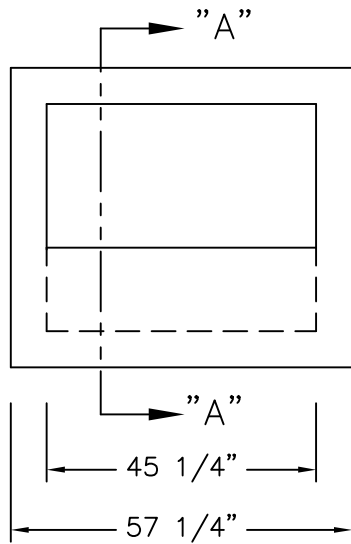


24"x45 1/4"
OPENING

INLET TOP

CONVERSION
SLAB

HOLES CAST
AS REQUIRED



SECTION "A-A"



NPCA
CERTIFIED PLANT

MONARCH PRECAST CONCRETE

425 NORTH DAUPHIN STREET
WWW.MONARCHPRECAST.COM

ALLENTOWN, PA. 18109

PHONE (610) 435-6746
FAX (610) 437-7133

38" x 45 1/4" INLET BOX w/ INLET TOP