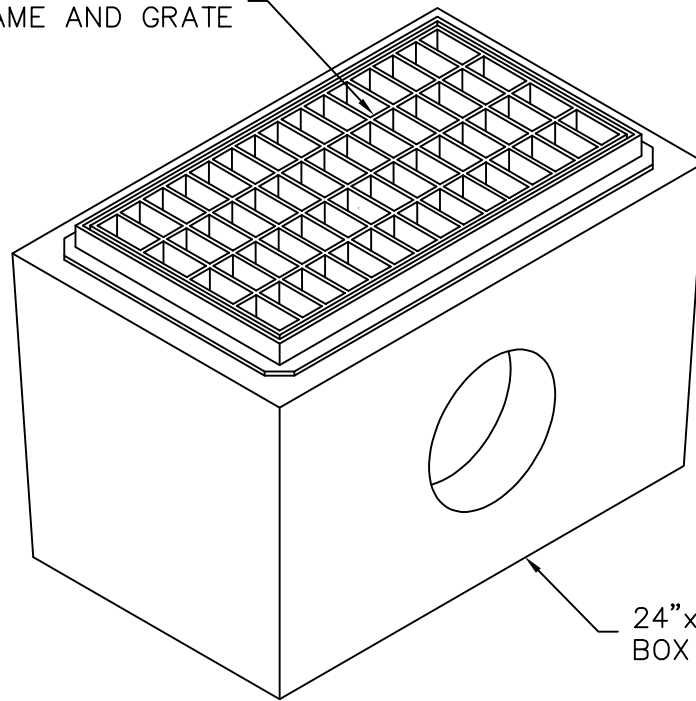
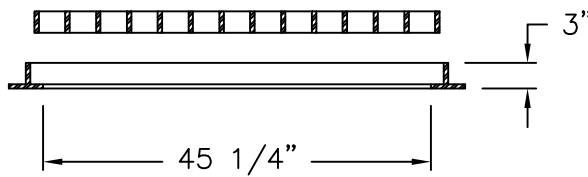
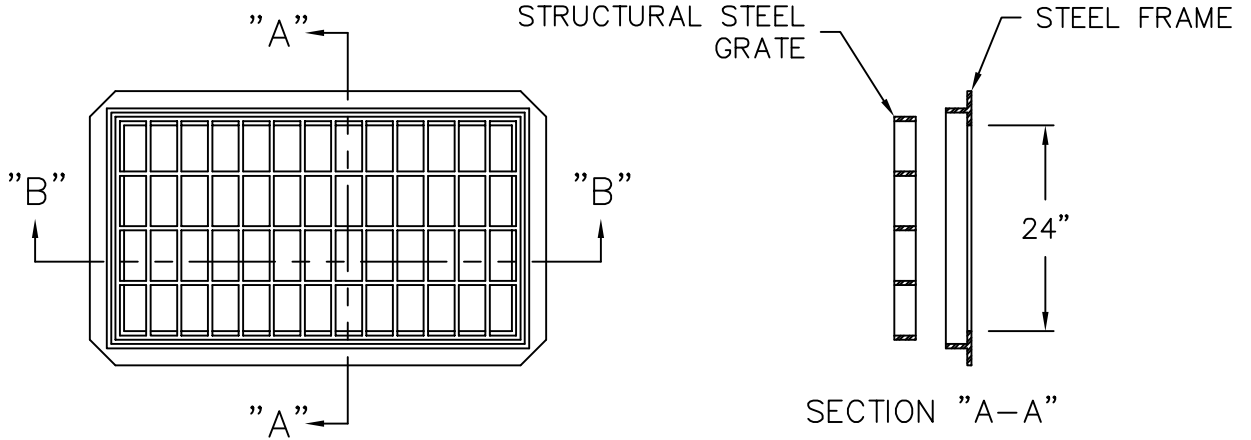


TYPE M ALTERNATE
FRAME AND GRATE



24"x45" INLET
BOX



SECTION "B-B"



MONARCH PRECAST CONCRETE

425 NORTH DAUPHIN STREET
WWW.MONARCHPRECAST.COM

ALLENTOWN, PA. 18109

PHONE (610) 435-6746
FAX (610) 437-7133

24"x45" INLET WITH TYPE M ALTERNATE FRAME