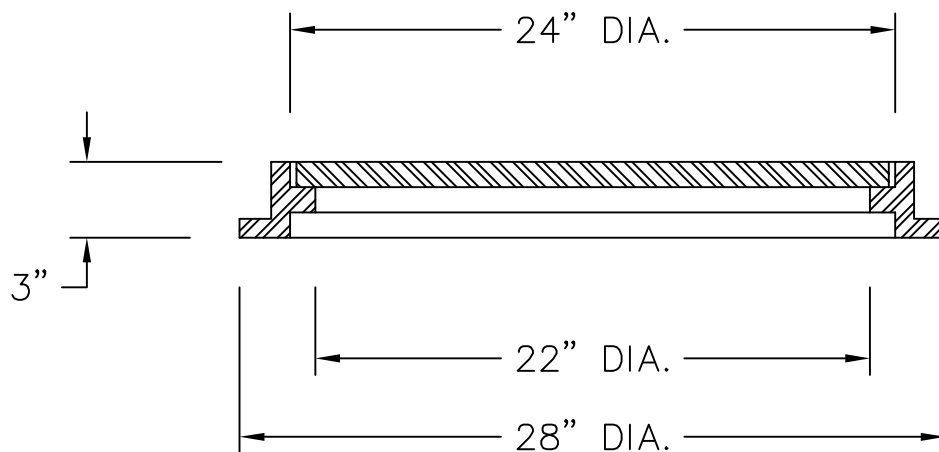
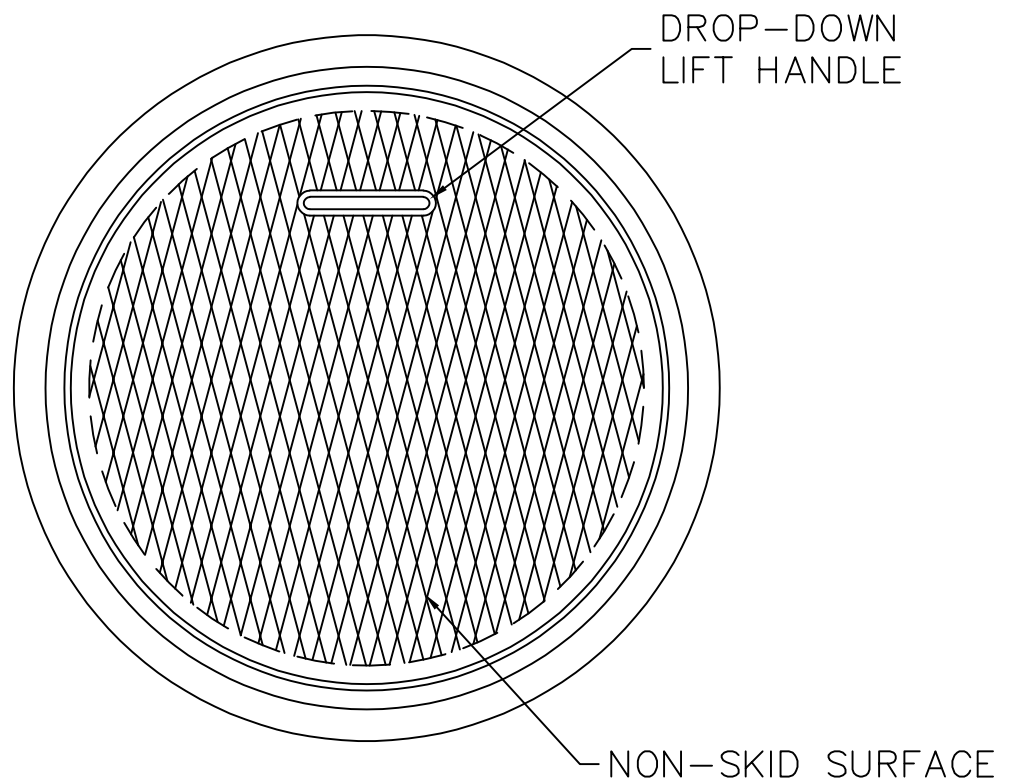


BOLTED WATER TIGHT COVER AVAILABLE.



MONARCH PRECAST CONCRETE

425 NORTH DAUPHIN STREET
WWW.MONARCHPRECAST.COM

ALLENTOWN, PA. 18109

PHONE (610) 435-6746
FAX (610) 437-7133

24" LIGHT-DUTY FRAME AND COVER