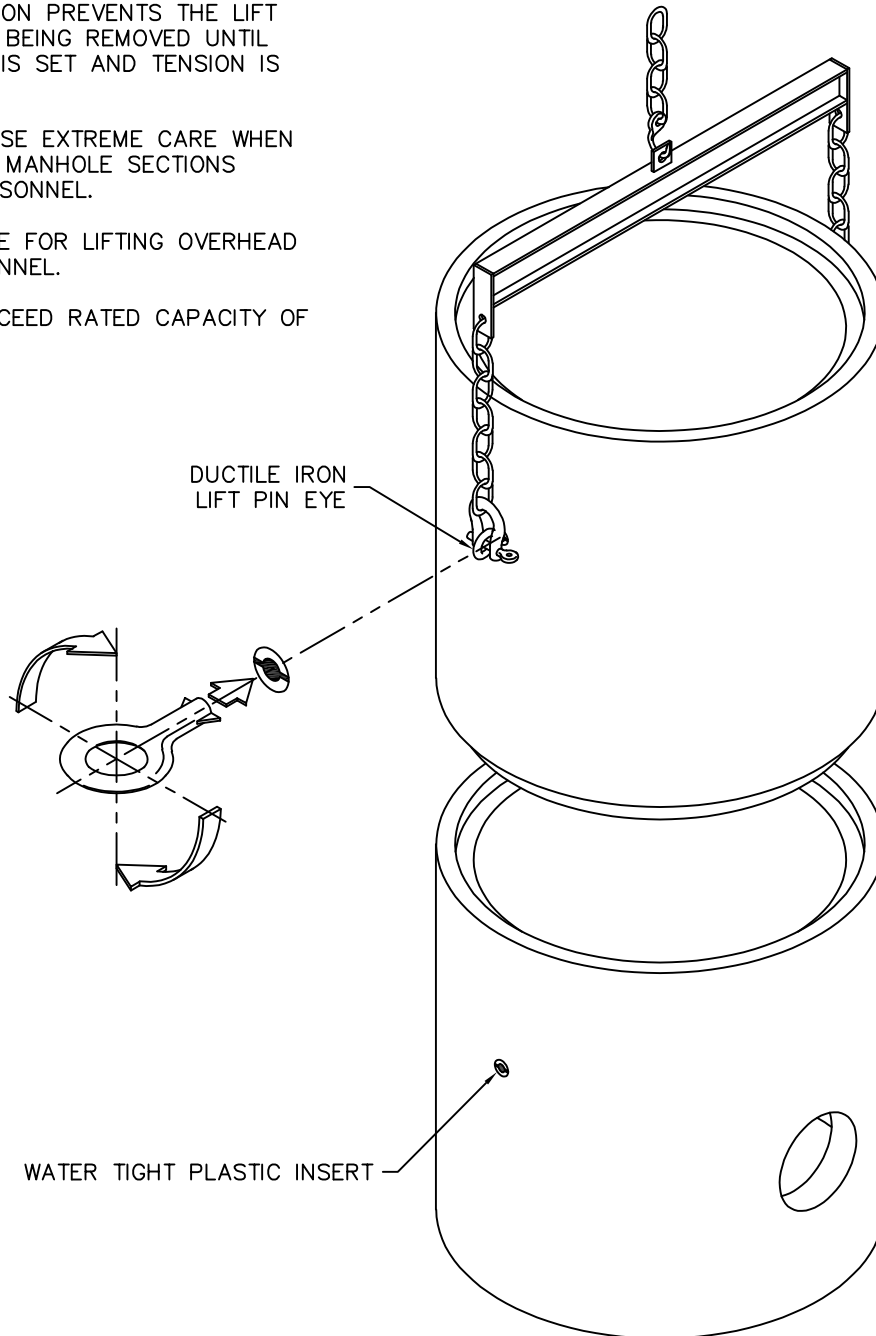


INSTRUCTIONS

1. INSERT LIFT PINS INTO MANHOLE WALL AND ROTATE 90 DEG. TO LOCK IN PLACE.
2. LIFT TENSION PREVENTS THE LIFT PIN FROM BEING REMOVED UNTIL MANHOLE IS SET AND TENSION IS RELEASED.
3. ALWAYS USE EXTREME CARE WHEN HANDLING MANHOLE SECTIONS NEAR PERSONNEL.
4. NEVER USE FOR LIFTING OVERHEAD OF PERSONNEL.
5. NEVER EXCEED RATED CAPACITY OF LIFT EYES.



MONARCH PRECAST CONCRETE

425 NORTH DAUPHIN STREET
WWW.MONARCHPRECAST.COM

ALLENTOWN, PA. 18109

PHONE (610) 435-6746
FAX (610) 437-7133

MANHOLE SAFETY LIFT SYSTEM