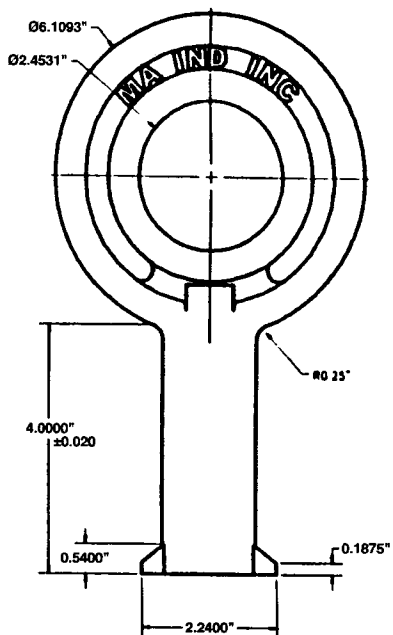
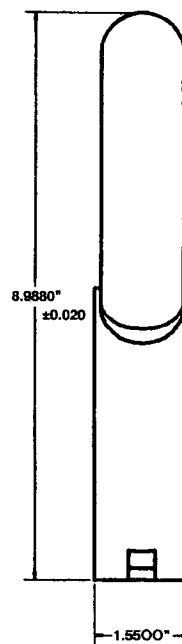
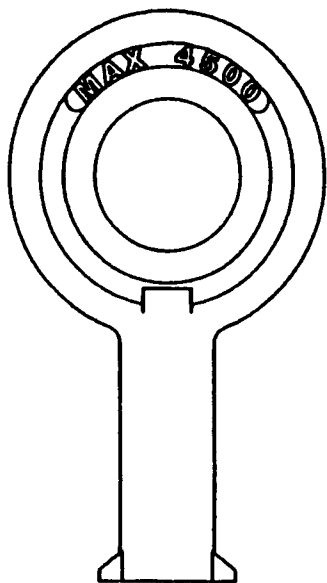


004-742



M.A. INDUSTRIES, INC.

