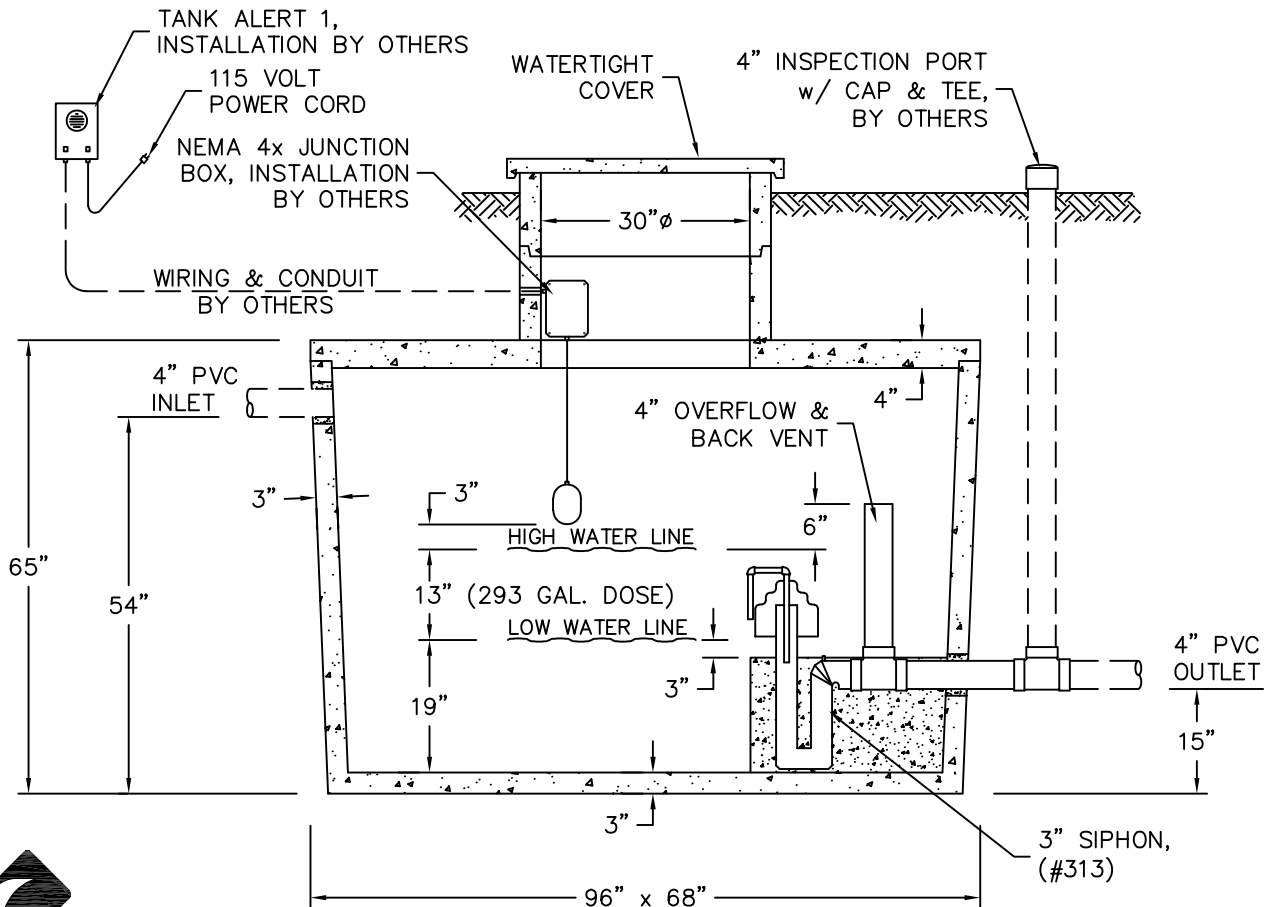
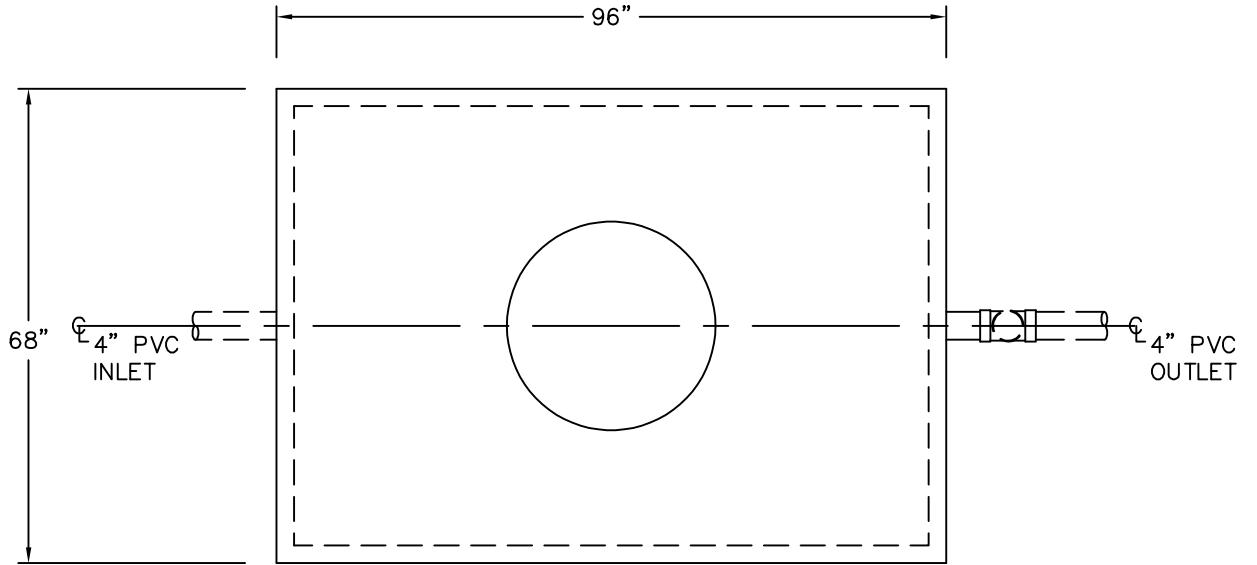


IMPORTANT
 THE SIPHON TANK MUST BE SET LEVEL
 ON UNDISTURBED SOIL – FILL SIPHON
 TRAP WITH WATER PRIOR TO OPERATIONS



MONARCH PRECAST CONCRETE

425 NORTH DAUPHIN STREET
 WWW.MONARCHPRECAST.COM

ALLENTOWN, PA. 18109

PHONE (610) 435-6746
 FAX (610) 437-7133

1000 GAL SIPHON TANK