

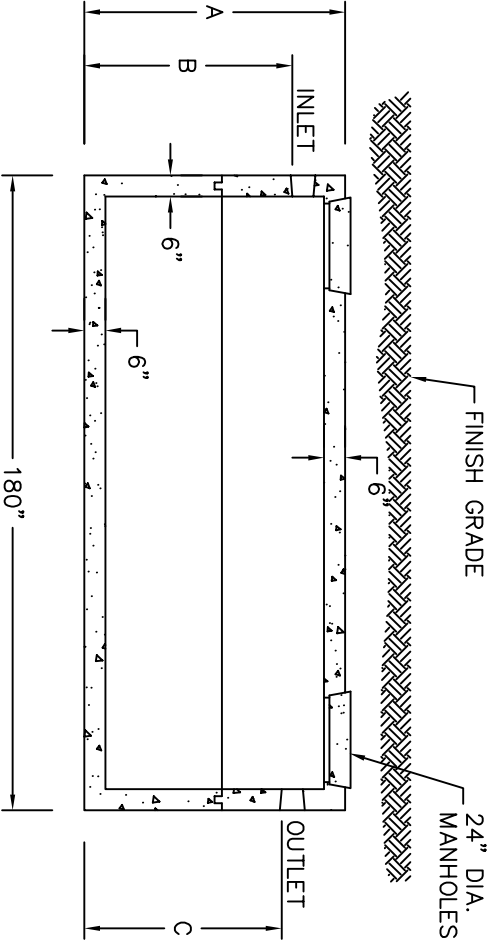
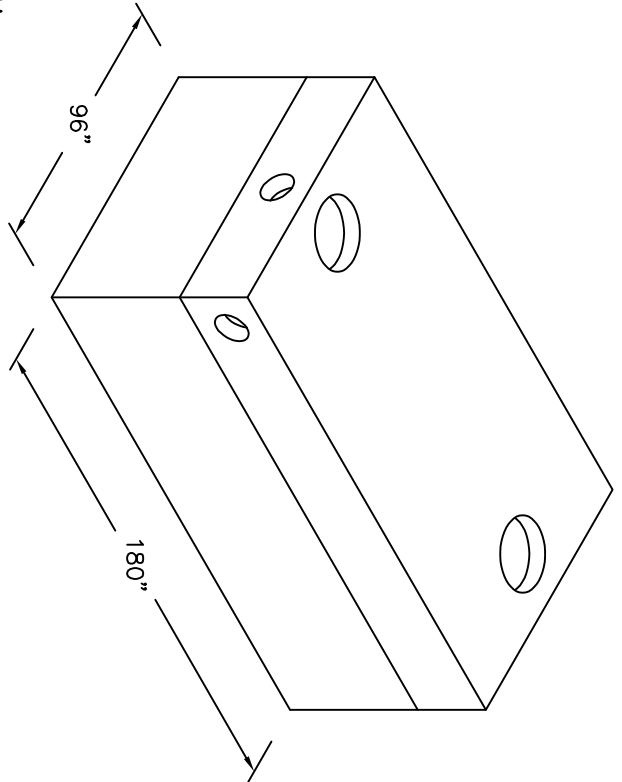
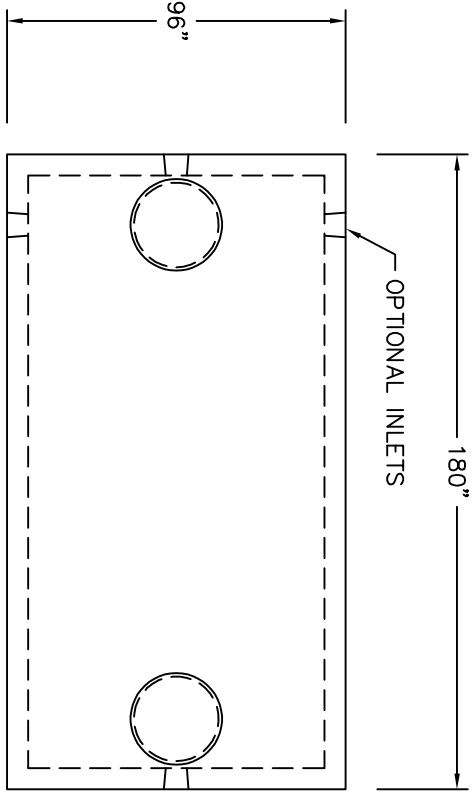
2000 TO 5000 GAL. SINGLE COMPARTMENT GREASE TRAPS

425 NORTH DAUPHIN STREET  
 WWW.MONARCHPRECAST.COM

ALLENTOWN, PA. 18109

PHONE (610) 435-6746  
 FAX (610) 437-7133

# MONARCH PRECAST CONCRETE



CONCRETE CONFORMS TO ASTM C913 SPECIFICATIONS  
 8" TOP IS AVAILABLE FOR HS-20 TRAFFIC LOADING

DIMENSIONAL DATA			
CAPACITY	A	B	C
2000 GAL.	60"	42"	39"
3000 GAL.	74"	61"	58"
3500 GAL.	82"	67"	64"
4000 GAL.	90"	75"	72"
4500 GAL.	98"	83"	80"
5000 GAL.	108"	91"	88"

PIPE BAFPLES BY OTHERS IN THE FIELD